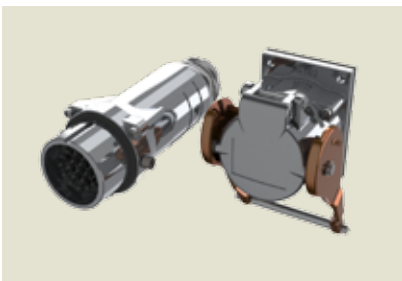
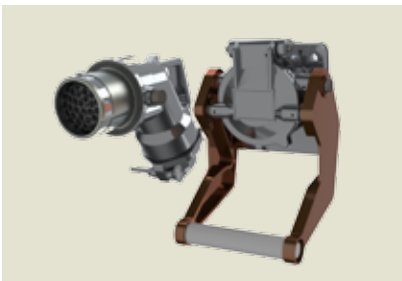




## Power Connector Multipin connectors 500V



PC2 Plug & Socket Push & Pull



PC4 Plug & Socket



PC5 Plug & Socket

### INTRODUCTION

Cavotec Connectors develops electrical connectors that improve performance and protect critical applications in demanding environments or limited space.

The Cavotec multipin connectors have a range from PC2(18pin) up to PC5(50pins) for frequent connections and disconnections. Designed with Cavotec Push & Pull system, it offers a safe way for connecting and disconnecting via an ergonomic push & pull handle, which could be critical in case of emergency.

Cavotec multipin connectors, a safe and easy power supply device for applications such as:

- Land based oil rigs – Ports – Steel mills – Mining & tunnelling – Railways

Cavotec multipin connectors compact and light design was possible with Cavotec's MWT technology enabling smaller pins to take high current with a minimal voltage drop.

### PRODUCT FEATURES

- Maximum voltage up to 500V, currents up to 40A.
- Up to 50 pole insulator assembly.
- IP66 (when connected or with covers closed)
- Standard ambient temperature: -40°C to +80°C or -40°F to +176°F
- Socket & connector with integrated cover operated by the push & pull arms (Socket available in straight or 30° bent version) (PC4 and PC5 plug available in straight or 60 degree bent version)
- Standard finishes: marine grade aluminium ISO 3522 - Hardware in stainless steel
- Push & Pull arm material: Bronze ISO 1338:1977
- Female contact, male pin and cable terminal material: silver plated brass
- Easy wiring with male and female insulators fully interchangeable (between plug and socket) made in POM Max temp. 90 °C.
- Interchangeable pins and contacts without dismantling the connector
- All cable terminals suits for cables of class 5, IEC 60228
- Standard cable terminals for crimping with hexagonal crimping tool
- Cable glands: Available in a wide variety of types and sizes (supplied by external manufacturers)
- Standard cable gland for PC4 and PC5: Cavotec "onion ring" with strain relief covering cable outer diameters from Ø25-70mm
- For screw ring connection please contact your Cavotec company.

## OPTIONAL FEATURES

- High temperature version for +80°C - +250°C or +176°F - +482°F
- Insulator material: machined PTFE (Teflon)
- Plug covers: (PC2) PCX-01612-006, (PC4) PCX-01614-006, (PC5) PCX-01615-006
- Wall mounting bracket for Connector: (PC2) PCX-49260-1002, (PC4) PCX-49455-2204, (PC5) PCX-49555-2204
- Individual keying to prevent inserting a plug in the wrong socket
- Finishes: Colour or non-colour anodizing / Clear coat or solid color painting



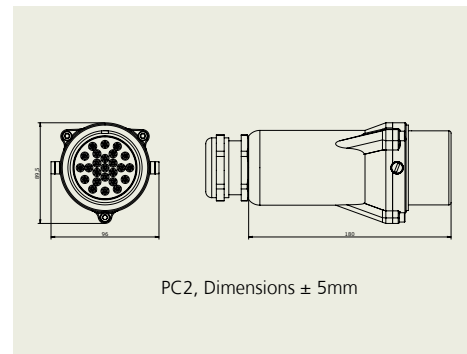
## SPECIAL TOOLS

Male pin Dia. 3mm	Female contact Dia. 3mm	Key width	Socket wrench (Part numb.)
PCX-11003-XXXX	PCX-12003-XXXX	5	PCX-92001-0051 PCX-92003-0051

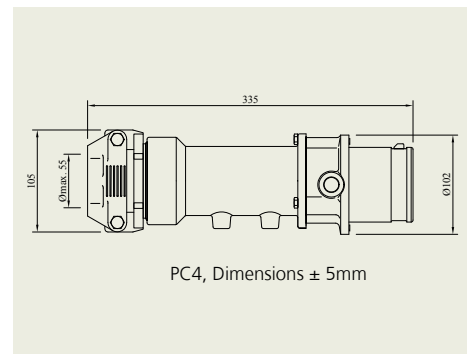
## PLUG/INVERTED PLUG, STRAIGHT, PUSH & PULL

Type Size	No. Pins (P&E)	Pin Ø (mm) Max. Amp	Weight (kg)	Cross Section mm <sup>2</sup> / Rec. Amp	Plug Male Pins Product Code	Inv. plug Femal Contact Product Code
2	18	3mm / 40A	1,4	1,5mm <sup>2</sup> / 20A	PC2-SX18-0015	PC2-TX18-0015
				2,5mm <sup>2</sup> / 30A	PC2-SX18-0025	PC2-TX18-0025
				4mm <sup>2</sup> / 40A	PC2-SX18-0040	PC2-TX18-0040
2	25*	3mm / 40A	1,4	1,5mm <sup>2</sup> / 20A	PC2-SX25-0015	PC2-TX25-0015
				2,5mm <sup>2</sup> / 30A	PC2-SX25-0025	PC2-TX25-0025
				4mm <sup>2</sup> / 40A	PC2-SX25-0040	PC2-TX25-0040
4	24	3mm / 40A	1,8	1,5mm <sup>2</sup> / 20A	PC4-SX24-0015R	PC4-TX24-0015R
				2,5mm <sup>2</sup> / 30A	PC4-SX24-0025R	PC4-TX24-0025R
				4mm <sup>2</sup> / 40A	PC4-SX24-0040R	PC4-TX24-0040R
4	30	3mm / 40A	1,8	1,5mm <sup>2</sup> / 20A	PC4-SX30-0015R	PC4-TX30-0015R
				2,5mm <sup>2</sup> / 30A	PC4-SX30-0025R	PC4-TX30-0025R
				4mm <sup>2</sup> / 40A	PC4-SX30-0040R	PC4-TX30-0040R
4	37	3mm / 40A	1,9	1,5mm <sup>2</sup> / 20A	PC4-SX37-0015R	PC4-TX37-0015R
				2,5mm <sup>2</sup> / 30A	PC4-SX37-0025R	PC4-TX37-0025R
				4mm <sup>2</sup> / 40A	PC4-SX37-0040R	PC4-TX37-0040R
5	50	3mm / 40A	4,4	1,5mm <sup>2</sup> / 20A	PC5-SX50-0015R	PC5-TX50-0015R
				2,5mm <sup>2</sup> / 30A	PC5-SX50-0025R	PC5-TX50-0025R
				4mm <sup>2</sup> / 40A	PC5-SX50-0040R	PC5-TX50-0040R

\*Max. nominal voltage 50 VAC



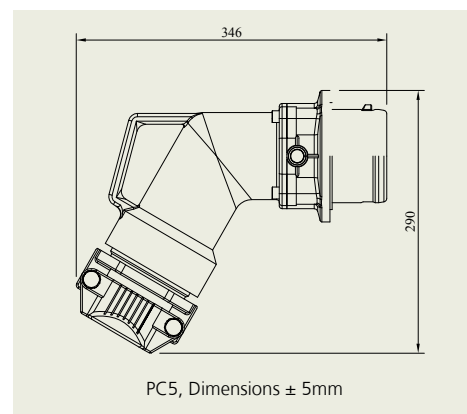
PC2, Dimensions ± 5mm



PC4, Dimensions ± 5mm

## PLUG/INVERTED PLUG, BENT, PUSH & PULL

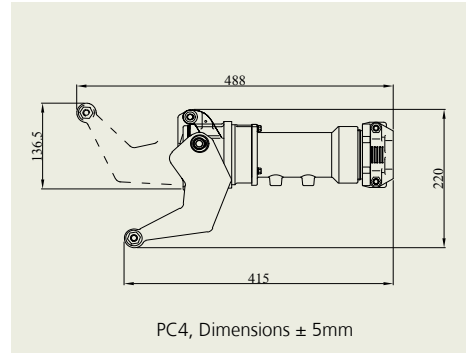
Type Size	No. Pins (P&E)	Pin Ø (mm) Max. Amp	Weight (kg)	Cross Section mm <sup>2</sup> / Rec. Amp	Plug Male Pins Product Code	Inv. plug Femal Contact Product Code
4	24	3mm / 40A	1,8	1,5mm <sup>2</sup> / 20A	PC4-SX24-0015	PC4-TX24-0015
				2,5mm <sup>2</sup> / 30A	PC4-SX24-0025	PC4-TX24-0025
				4mm <sup>2</sup> / 40A	PC4-SX24-0040	PC4-TX24-0040
4	30	3mm / 40A	1,8	1,5mm <sup>2</sup> / 20A	PC4-SX30-0015	PC4-TX30-0015
				2,5mm <sup>2</sup> / 30A	PC4-SX30-0025	PC4-TX30-0025
				4mm <sup>2</sup> / 40A	PC4-SX30-0040	PC4-TX30-0040
4	37	3mm / 40A	2,0	1,5mm <sup>2</sup> / 20A	PC4-SX37-0015	PC4-TX37-0015
				2,5mm <sup>2</sup> / 30A	PC4-SX37-0025	PC4-TX37-0025
				4mm <sup>2</sup> / 40A	PC4-SX37-0040	PC4-TX37-0040
5	50	3mm / 40A	4,4	1,5mm <sup>2</sup> / 20A	PC5-SX50-0015	PC5-TX50-0015
				2,5mm <sup>2</sup> / 30A	PC5-SX50-0025	PC5-TX50-0025
				4mm <sup>2</sup> / 40A	PC5-SX50-0040	PC5-TX50-0040



PC5, Dimensions ± 5mm

## CONNECTOR/INVERTED CONNECTOR, PUSH & PULL

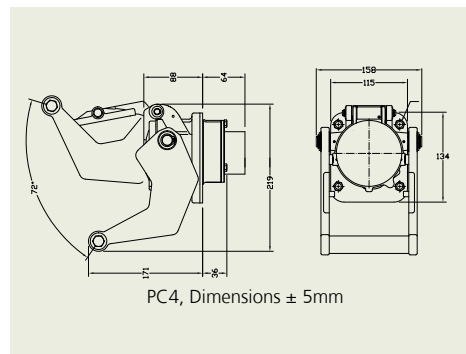
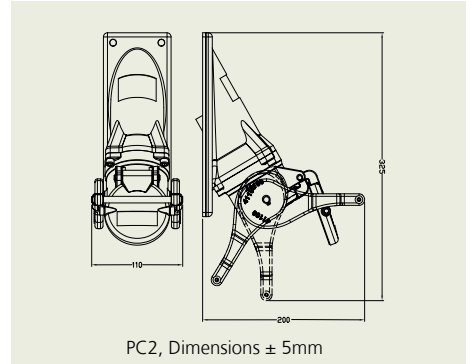
Type Size	No. Pins (P&E)	Pin Ø (mm) Max. Amp	Weight kg	Cross Section mm <sup>2</sup> / Rec. Amp	Connector:Female Product Code	Inv.Conenctor: Male Pin Product code
2	18	3mm / 40A	1,4	1,5mm <sup>2</sup> / 20Amp	PC2-RX18-0015	PC2-PX18-0015
				2,5mm <sup>2</sup> / 30Amp	PC2-RX18-0025	PC2-PX18-0025
				4mm <sup>2</sup> / 40Amp	PC2-RX18-0040	PC2-PX18-0040
2	25*	3mm / 40A	1,4	1,5mm <sup>2</sup> / 20Amp	PC2-RX25-0015	PC2-PX25-0015
				2,5mm <sup>2</sup> / 30Amp	PC2-RX25-0025	PC2-PX25-0025
				4mm <sup>2</sup> / 40Amp	PC2-RX25-0040	PC2-PX25-0040
4	24	3mm / 40A	3,5	1,5mm <sup>2</sup> / 20Amp	PC4-RX24-0015	PC4-PX24-0015
				2,5mm <sup>2</sup> / 30Amp	PC4-RX24-0025	PC4-PX24-0025
				4mm <sup>2</sup> / 40Amp	PC4-RX24-0040	PC4-PX24-0040
4	30	3mm / 40A	3,5	1,5mm <sup>2</sup> / 20Amp	PC4-RX30-0015	PC4-PX30-0015
				2,5mm <sup>2</sup> / 30Amp	PC4-RX30-0025	PC4-PX30-0025
				4mm <sup>2</sup> / 40Amp	PC4-RX30-0040	PC4-PX30-0040
4	37	3mm / 40A	3,6	1,5mm <sup>2</sup> / 20Amp	PC4-RX37-0015	PC4-PX37-0015
				2,5mm <sup>2</sup> / 30Amp	PC4-RX37-0025	PC4-PX37-0025
				4mm <sup>2</sup> / 40Amp	PC4-RX37-0040	PC4-PX37-0040
5	50	3mm / 40A	7,8	1,5mm <sup>2</sup> / 20Amp	PC5-RX50-0015	PC5-PX50-0015
				2,5mm <sup>2</sup> / 30Amp	PC5-RX50-0025	PC5-PX50-0025
				4mm <sup>2</sup> / 40Amp	PC5-RX50-0040	PC5-PX50-0040



\*Max. nominal voltage 50 VAC

## SOCKET/INVERTED SOCKET, PUSH & PULL

Type Size	(P&E+pil)	Pin Size (mm) phase	Weight (kg)	Cross Section mm <sup>2</sup> / Rec. Amp	Socket Female Contact Product Code	Inv. socket Male pin Product Code
2	18	3	1,4	1,5mm <sup>2</sup> / 20A	PC2-VX18-0015**	PC2-WX18-0015**
		3		2,5mm <sup>2</sup> / 30A	PC2-VX18-0025**	PC2-WX18-0025**
		3		4mm <sup>2</sup> / 40A	PC2-VX18-0040**	PC2-WX18-0040**
2	18	3	1,4	1,5mm <sup>2</sup> / 20A	PC2-VX18-0015R***	PC2-WX18-0015R***
		3		2,5mm <sup>2</sup> / 30A	PC2-VX18-0025R***	PC2-WX18-0025R***
		3		4mm <sup>2</sup> / 40A	PC2-VX18-0040R***	PC2-WX18-0040R***
2	25*	3	1,4	1,5mm <sup>2</sup> / 20A	PC2-VX25-0015**	PC2-WX25-0015**
		3		2,5mm <sup>2</sup> / 30A	PC2-VX25-0025**	PC2-WX25-0025**
		3		4mm <sup>2</sup> / 40A	PC2-VX25-0040**	PC2-WX25-0040**
2	25*	3	1,4	1,5mm <sup>2</sup> / 20A	PC2-VX25-0015R***	PC2-WX25-0015R***
		3		2,5mm <sup>2</sup> / 30A	PC2-VX25-0025R***	PC2-WX25-0025R***
		3		4mm <sup>2</sup> / 40A	PC2-VX25-0040R***	PC2-WX25-0040R***
4	24	3	3,5	1,5mm <sup>2</sup> / 20A	PC4-VX24-0015	PC4-WX24-0015
		3		2,5mm <sup>2</sup> / 30A	PC4-VX24-0025	PC4-WX24-0025
		3		4mm <sup>2</sup> / 40A	PC4-VX24-0040	PC4-WX24-0040
4	30	3	3,5	1,5mm <sup>2</sup> / 20A	PC4-VX30-0015	PC4-WX30-0015
		3		2,5mm <sup>2</sup> / 30A	PC4-VX30-0025	PC4-WX30-0025
		3		4mm <sup>2</sup> / 40A	PC4-VX30-0040	PC4-WX30-0040
4	37	3	3,6	1,5mm <sup>2</sup> / 20A	PC4-VX37-0015	PC4-WX37-0015
		3		2,5mm <sup>2</sup> / 30A	PC4-VX37-0025	PC4-WX37-0025
		3		4mm <sup>2</sup> / 40A	PC4-VX37-0040	PC4-WX37-0040
5	50	3	7,8	1,5mm <sup>2</sup> / 20A	PC5-VX50-0015	PC5-WX50-0015
		3		2,5mm <sup>2</sup> / 30A	PC5-VX50-0025	PC5-WX50-0025
		3		4mm <sup>2</sup> / 40A	PC5-VX50-0040	PC5-WX50-0040



\*Max. nominal voltage 50VAC; \*\*30 degree inclined; \*\*\* straight 90°


















## CABLE GLAND CODE FOR SIZE 2 PLUG/CONNECTOR

Metric	Cable outer	PG	Cable outer
Cable Glands	Ø (mm)	Cable Glands	Ø (mm)
M12 x1,5	3-6,5	11	5-10
M16 x1,5	5-10	13,5	6-12
M20 x1,5	6-12	16	10-14
M25 x1,5	11-17	21	13-18
M32 x1,5	15-21	29	18-25
M40 x1,5	19-28	36	22-32
M50 x1,5	28-38	42	32-38
M63 x1,5	34-44	48	37-44

For further information please visit [www.cavotec.com](http://www.cavotec.com)

Disclaimer: specifications are subject to change without notice

## POWER CONNECTORS PRODUCT RANGE

Size	Connection type	Model name	Keying position	Accessories	Certifications	1-pole	3-pole	4-pole			5-pole	8-pole	13-pole	18-pole	25-pole	24, 30 & 37-pole	50-pole		
PC1	Screw Ring	S1	12								40A 690V 4mm <sup>2</sup>	20A 415V 2,5mm <sup>2</sup>	10A 230V 1,5mm <sup>2</sup>	10A 230V 1,5mm <sup>2</sup>					
	Screw Ring	S1	2, 4, 6, 8, 10, 12		ATEX & IECEx 						30A 690V 4mm <sup>2</sup>	20A* 415V* 2,5mm <sup>2</sup>	10A* 230V* 1,5mm <sup>2</sup>	10A* 230V* 1,5mm <sup>2</sup>					
PC2	Push&Pull	X2	2, 3, 4, 5, 6, 7, 8, 9, 10, 12 Insulator keying: 1-11	Low interlocking (PC2-VL) Wall bracket Screw terminals		660A 690V 300mm <sup>2</sup>	250A 690V 70mm <sup>2</sup>	200A 690V 50mm <sup>2</sup>			200A 415V 50mm <sup>2</sup>			40A 500V 4mm <sup>2</sup>	40A 50V 4mm <sup>2</sup>				
	Bayonet	B2	Double keying 1-11 55 options		ATEX & IECEx 	660A 690V 300mm <sup>2</sup>	250A 690V 70mm <sup>2</sup>	200A 690V 50mm <sup>2</sup>			200A 415V 50mm <sup>2</sup>			40A 500V 4mm <sup>2</sup>	40A 50V 4mm <sup>2</sup>				
PC3	Eye Bolt	K3						170A 1,1kV 50mm <sup>2</sup>											
PC4	Push&Pull	X4	1, 2, 3, 4, 5, 6, 7, 8, 9, 10, 11, 12	External FO 6ch Screw terminals				250A 1,1kV 70mm <sup>2</sup>			200A 1,1kV 70mm <sup>2</sup>					40A 500V 4mm <sup>2</sup>			
	Screw Ring	S4	1, 2, 3, 4, 5, 6, 7, 8, 9, 10, 11, 12	Short bell				250A 1,1kV 70mm <sup>2</sup>			200A 1,1kV 70mm <sup>2</sup>								
	Eye Bolt	K4						250A 1,1kV 70mm <sup>2</sup>											
PC5	Push&Pull	X5	1, 2, 3, 4, 5, 6, 7, 8, 9, 10, 11, 12	External FO 12ch Internal FO 8ch Screw terminals Kirk Key interlock Wall bracket				420A 1,1kV 185mm <sup>2</sup> Internal fiber optic	350A 7,2kV 150mm <sup>2</sup> 								40A 500V 4mm <sup>2</sup>		
	Screw Ring	S5	1, 2, 3, 4, 5, 6, 7, 8, 9, 10, 11, 12	Internal FO 8ch Screw terminals				420A 1,1kV 185mm <sup>2</sup> Internal fiber optic	350A 7,2kV 150mm <sup>2</sup>		350A 1,1kV 185mm <sup>2</sup>								
PC6	Push&Pull	X6	6.12	External FO 18ch Internal FO 12ch Screw terminals Kirk Key interlock Wall bracket				660A 1,1kV 300mm <sup>2</sup> Internal fiber optic	480A 7,2kV 240mm <sup>2</sup> Internal fiber optic	500A 12kV 185mm <sup>2</sup>	480A 1,1kV 300mm <sup>2</sup>								
	Screw Ring	S6	6.12					660A 1,1kV 300mm <sup>2</sup>			660A 1,1kV 300mm <sup>2</sup>								
PC7	Eye Bolt	K7						400A 8kV 185mm <sup>2</sup>											
PC8	Eye Bolt	K8						440A 15kV 120mm <sup>2</sup>											
PC9	Eye Bolt	K9						440A 25kV 150mm <sup>2</sup>											

\*Available Q2 2015

For further information please visit [www.cavotec.com](http://www.cavotec.com)

Disclaimer: specifications are subject to change without notice